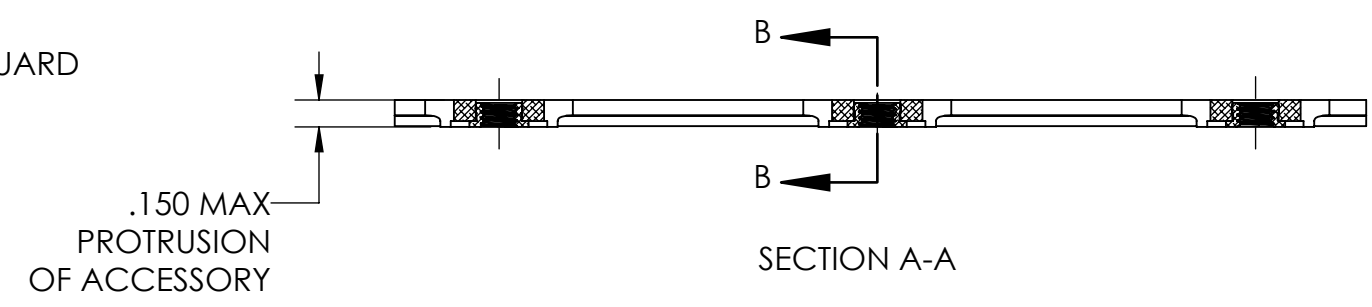
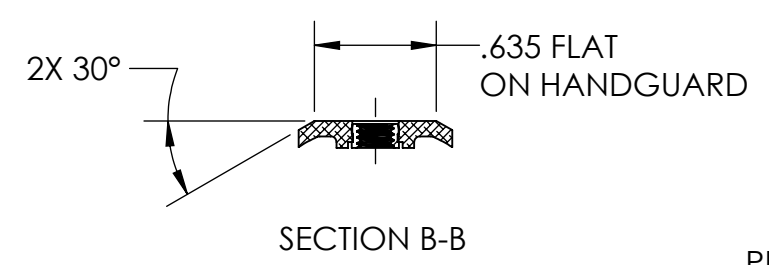
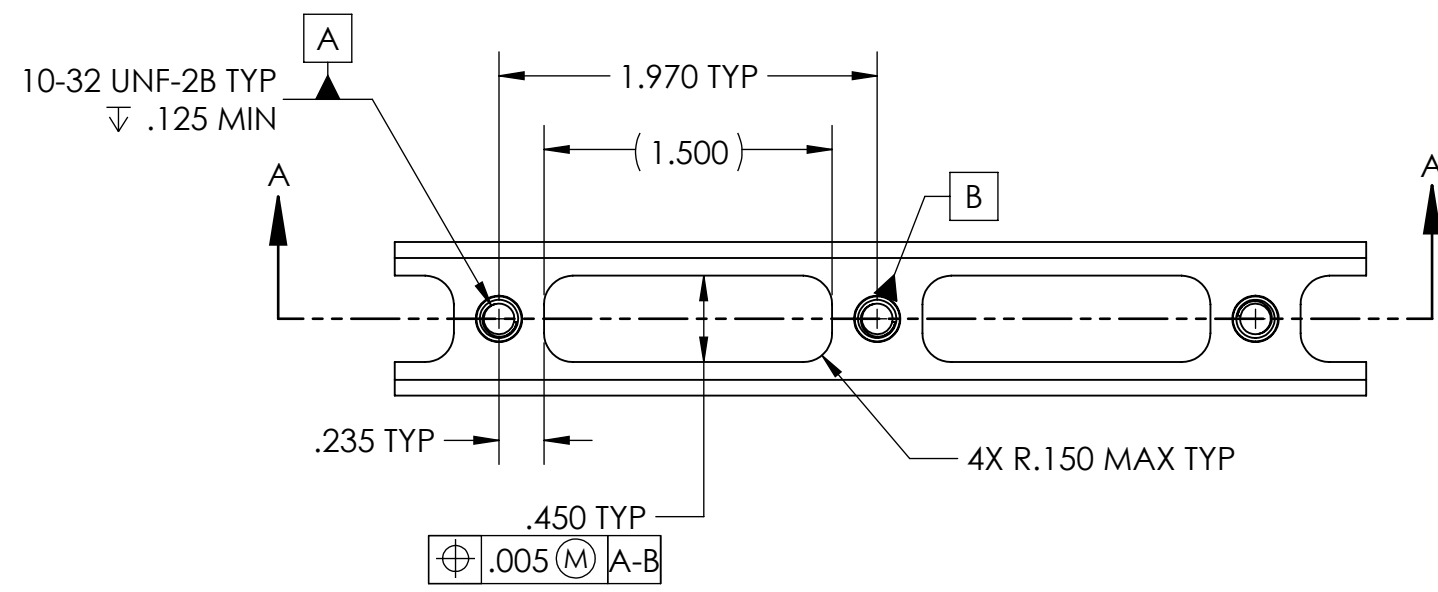


| REVISIONS | | | |
|-----------|-----------------|-----------|----------|
| REV. | DESCRIPTION | DATE | APPROVED |
| A | INITIAL RELEASE | 11/1/2018 | PCL |



PROPRIETARY AND CONFIDENTIAL
 THE INFORMATION CONTAINED IN THIS DRAWING IS THE SOLE PROPERTY OF Q LLC. ANY REPRODUCTION IN PART OR AS A WHOLE WITHOUT THE WRITTEN PERMISSION OF Q LLC IS PROHIBITED.

THIS DOCUMENT CONTAINS TECHNICAL DATA WITHIN THE DEFINITION OF THE INTERNATIONAL TRAFFIC IN ARMS REGULATIONS, AND ARE SUBJECT TO THE EXPORT CONTROL LAWS OF THE U.S. GOVERNMENT. TRANSFER OF THIS DATA BY ANY MEANS TO A FOREIGN PERSON, WHETHER IN THE U.S. OR ABROAD, WITHOUT AN EXPORT LICENSE OR OTHER APPROVAL FROM THE U.S. DEPARTMENT OF STATE, IS PROHIBITED.

INTERPRET DRAWING PER ASME Y14.5

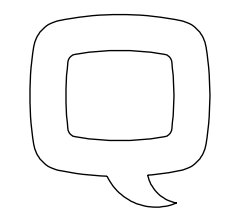
THIRD ANGLE PROJECTION

MIL-W-13855 APPLIES

DIMENSIONS ARE IN INCHES

UNSPECIFIED TOLERANCES

LINEAR: ±.005
 ANGULAR: ±.5°



| | | |
|---|----------------------------|----------------------|
| DESCRIPTION MOUNTING INTERFACE, Q-SERT ACCESSORY | | |
| SCALE 1:1 | DRAWING NO. 2278 | REVISION A |